

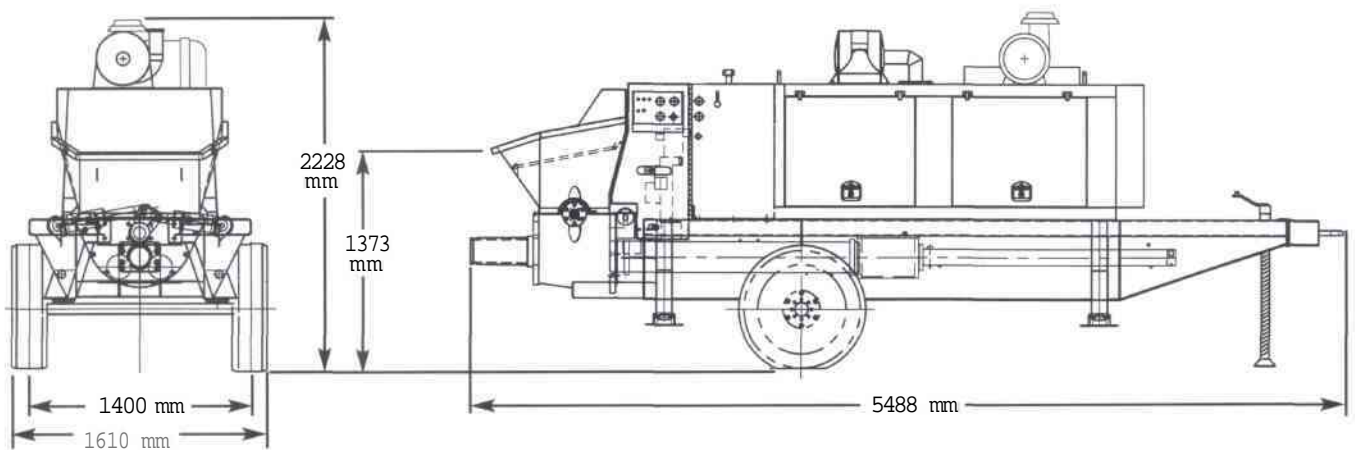


**SCHWING**  
**AMERICA INC.**

## Concrete pumps - WP Series

SMALL LINE DIVISION

- WP 1250
- CE Specification
- Sound Reduction Enclosure



### WP 1250

- output to 73 m<sup>3</sup>/hr.
- pressure to 65 bar
- up to 112 kW
- Optional version with braking axle for 80 km/hr.

The WP 1250 is an oil hydraulically driven twin-cylinder piston pump equipped with the field-proven Rock Valve, and is designed to pump concrete with 38 mm maximum aggregate size as well as wet screeds, mortar, foamed concrete, sludge, etc. The base frame has a single axle for 6 km/hr site towing. An axle with overrun brakes is available as an option.

## Technical Data

WP 1250

Theor. Output (m <sup>3</sup> /hr.)	73
Max. Pressure on Concrete (bar)	65
Max. Horiz. Pumping Distance (m)*	298
Max. Vert. Pumping Distance (m)*	87
Max. Pump Strokes Per Minute	34
Pump Cylinder Dia. (mm)	180
Differential Cylinder Dia. (mm)	80
Stroke Length (mm)	1400
Max. Aggregate Size (mm)	38
Outlet Dia.(mm)	125
Feeding Hopper Capacity (1)	250
Height of Hopper (mm)	1373
Remote Control	On/Off
Motor/Engine Rating (kW)	112
Fuel Tank Capacity (1)	113
Height (mm)	2228
Length (mm)	5488
Width (mm)	1610
Gross weight (kg)	3568

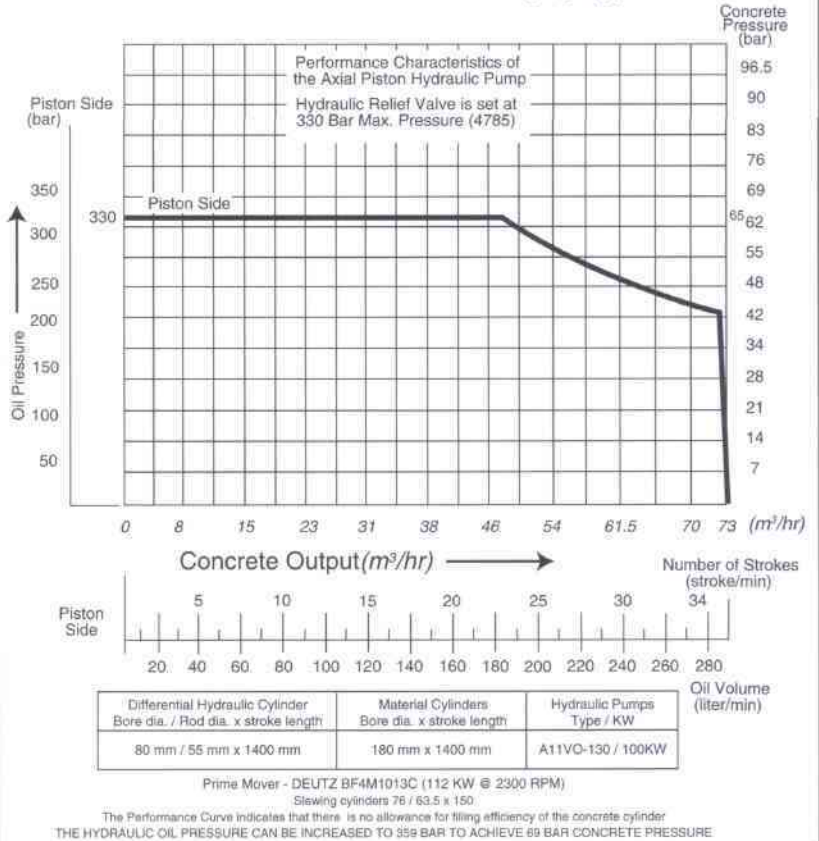
\*Pumping distances shown are to be used only as a guide. Maximum aggregate size and minimum slump are all dependent on mix design and pipeline diameter. Maximum output and distances cannot be reached simultaneously. Specifications subject to change without prior notice.

The heart of the concrete pump is the Rock Valve, patented in almost all industrialized countries and offering exemplary pumping characteristics, wearing properties and operational reliability.



WP 1250

Hyd. pump power: 100KW



Our North American factory where the manufacture of our entire line of truck-mounted and trailer pumps is accomplished with high quality craftsmanship in a modern state-of-the-art environment.



**SCHWING**  
**AMERICA INC.**  
SMALL LINE DIVISION

6900 Otter Lake Road

**B**

**BURLINGTON ENGINEERS LIMITED** d by

UNIT 11 PERIVALE INDUSTRIAL PARK  
HORSENDEN LANE SOUTH,  
GREENFORD, MIDDX. UB6 7RL

TELEPHONE: 020 8997 1515

FAX: 020 8998 3517

E-mail: info@burlington-engineers.co.uk



Printed on Recycled Paper

ISO 9002